

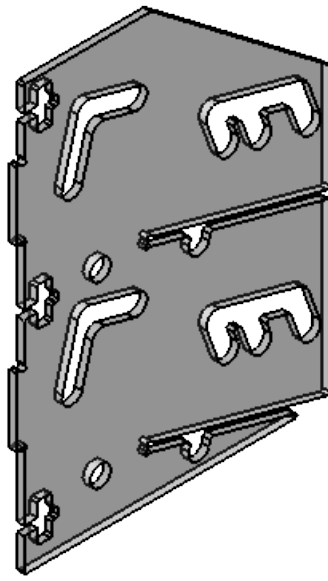
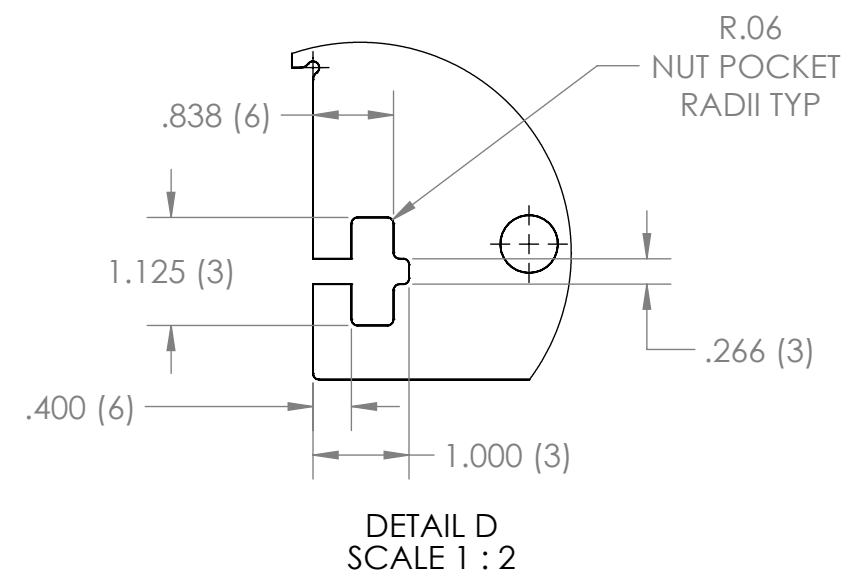
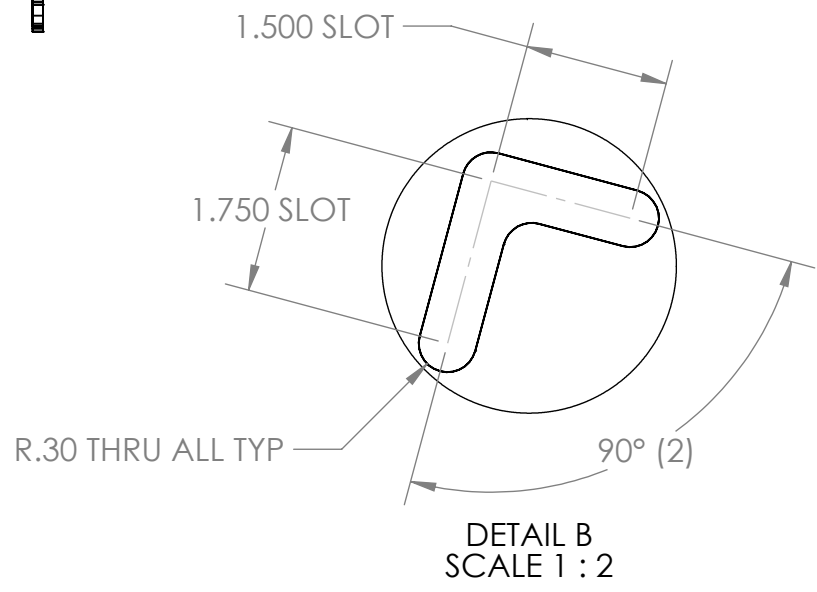
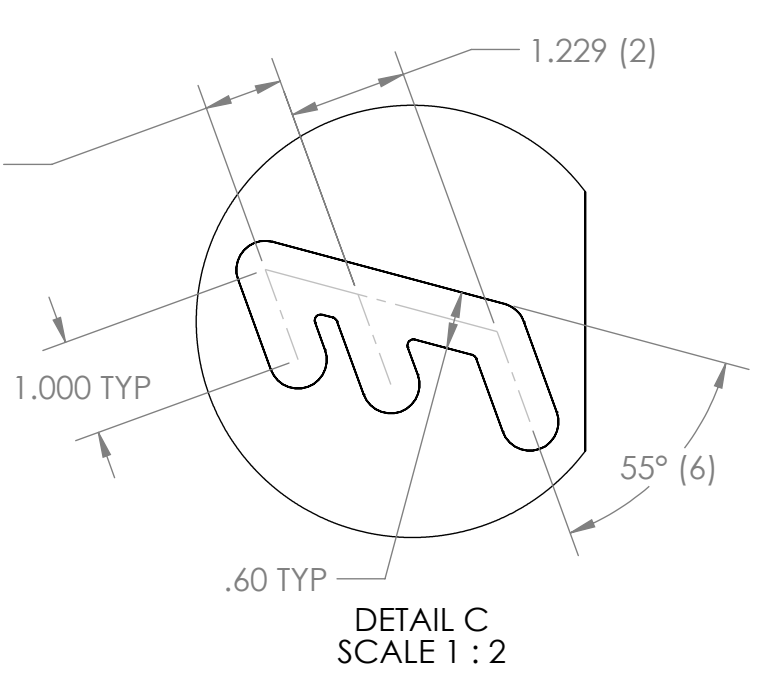
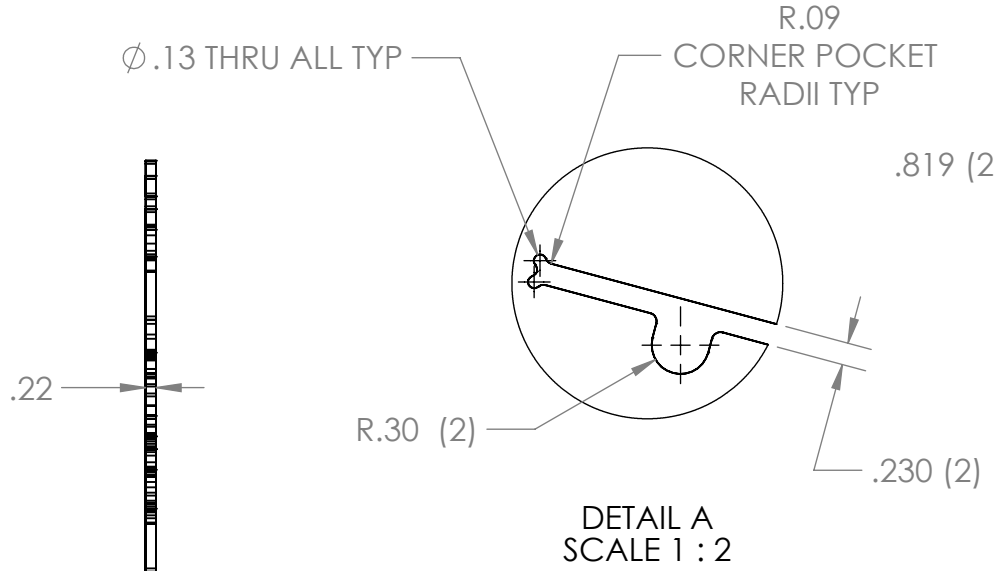
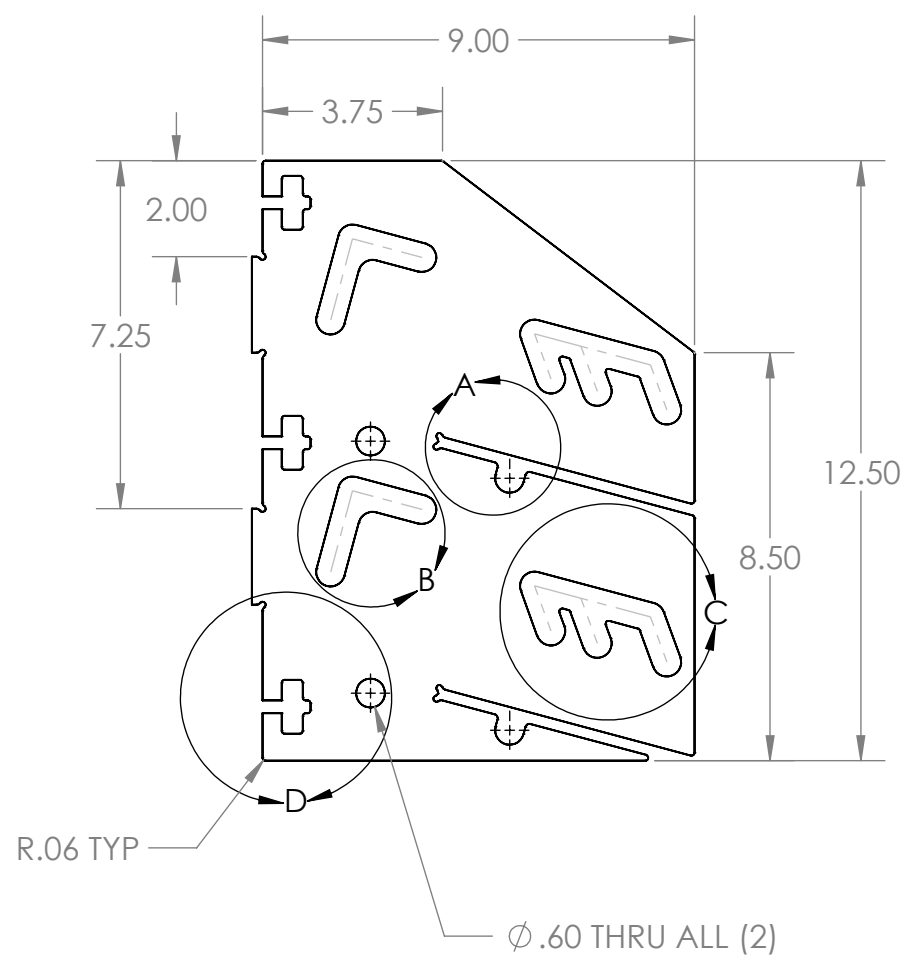
4

3

2

1

REVISION HISTORY			
REV.	DESCRIPTION	DATE	DRAWN BY
1	ORIGINAL PRINT	9/23/2025	P. YEUNG



*** SEE CAD FOR ADDITIONAL TOOLPATH INFO***

UNLESS OTHERWISE SPECIFIED:		COMMENTS:				
DIMENSIONS ARE IN INCHES		DUAL DIMENSIONS ARE IN MILLIMETERS.				
TOLERANCES:		BREAK ALL SHARP EDGES.		SIZE	DWG. NO.	REV
FRACTIONAL	±1/16			B	am-5676_divider	1
ANGULAR: MACH	±1°			SCALE: 1:4 SHEET 1 OF 1		
ANGULAR: BEND	±5°					
ONE PLACE DECIMAL	±0.1					
TWO PLACE DECIMAL	±0.01					
THREE PLACE DECIMAL	±0.005					
FOUR PLACE DECIMAL	±0.0005					
MATERIAL	CLEAR PC rm-0031a	CHECKED	NAME NM	DATE 9/24/25		
FINISH	DEBURRED	ENG APPR.				
DO NOT SCALE DRAWING		MFG APPR.				
		Q.A.				

4

3

2

1

B

B

A

A